

Introduction

Dear customer,

Thank you for choosing Xtrend.

This user manual will assist you to install the Xtrend box successfully and to get familiar with numerous features.

The Xtrend ET7500 and ET7000 is a new generation of Full HD Linux receiver with 2,000 DMIPS, 512MB DDR3, and an eSATAp port, which you can also use as an USB port. You can experience unlimited possibilities with the new Xtrend receivers.

The ET7500 and ET7000 allow you to experience various features such as web browser, media player, HbbTV, and other multimedia features.

In order to extend your experience, you can install various plugins on your Xtrend box.

We strongly recommend reading the user manual before using your Xtrend box.

For any further questions, please visit <http://www.et-view.net>

We wish you a great experience with your Xtrend Box.

Best regards,

Xtrend Team

Table of Contents

(A) Safety Instructions.....	3
(B) Main Features	5
(C) Specification	6
(D) Packaging Contents	7
(E) Product Description.....	9
(F) Smartcard Reader & CI	13
(G) Remote Control	15
(H) Basic Installation	17
1. <i>Installation of Satellite dish or Cable/Terrestrial connection</i>	17
2. <i>Connecting the TV (and VCR)</i>	18
(I) Replacing Tuner (For ET7500).....	20
(J) Turn on Xtrend ET7000/ET7500..	22
1. <i>Choose Video input selection</i>	22
2. <i>Language Selection</i>	23
3. <i>Configuring Basic Setup</i>	23
4. <i>Check the internet connection</i>	24
5. <i>Configuring Tuner A and Tuner B (ET7500 includes Tuner B Slot)</i>	25
6. <i>Automatic & Manual Scan</i>	27
(K) System Configuration – Network-Setup	29
(L) Mounting HDD (For ET7500).....	31
(M) Download and Install Plugins	33
(N) GNU General Public License.....	34

(A) Safety Instructions

This Linux Set-Top-Box has been designed and manufactured in compliance with EU consumer safety requirements (CE). Please read the following safety precautions carefully.

1. Connecting Power

- This product operates only in the range of AC 100V~250V and 50Hz/60Hz. Please check first your power supply to see if it fits this range.
- Please be noted that you need to disconnect from the mains before you start any maintenance or installation procedures.
- Make sure that the power cord is placed in a position where it is easy to unplug it from the mains in an emergency.

2. Overloading

- Do not overload a wall outlet, extension cord or adapter as this may cause electrical fire or shock.

3. Liquid

- This product is not water-proof and should not be exposed to dripping, splashing, or any type of liquid.
- No objects filled with liquid such as vases shall be placed on the product.
- Please do not clean the product with wet cloth, which may cause a short circuit.
- No wet objects should be placed near the product.

4. Ventilation

- Allow a sufficient space between the product and other objects to make sure air ventilation of the product.
- Do not block the top or rear of the product with an object, which will close the ventilation holes and lead to a high temperature of the system. This may cause a failure of the product.
- Do not stack other electronic devices on top of the product.
- Do not insert any kind of pointed objects like screw, gimlet, etc. into the ventilation holes of the product. This will damage the product.

5. Connecting the Satellite Cable

- Disconnect the power of the product before you connect the satellite cable to the product. Otherwise, it may cause damage to the LNB.

6. Grounding

- The LNB must be earthed to the system earth for the satellite dish.

7. Location

- Place the product indoor.
- Do not expose the product to rain, sun or lightening.
- Do not place the product near any heat appliances as a radiator.
- Ensure that there is more than 10 cm distance from any electrical devices & wall.

8. Lightning, Storm or Not In Use

- Unplug the product and disconnect the antenna cable during a thunderstorm or lightening, especially when left unattended and unused for a long period of time. This will prevent possible damages from power surges or lightening.

9. Replacement of Parts

- Unauthorized part replacements, especially by one who is not a qualified technician may result in damage to the product.
- Ensure that when part replacements are necessary qualified technicians perform the task using the components specified by the manufacturer.

10. Hard Disk Drive

- Do not move the product or turn the power off suddenly while the Hard Disk Drive (HDD) is still running. This may result in damage to the HDD and thus the system.
- The company shall not be liable for any corruption of data on the HDD caused by careless use or misuse of users.

11. Battery

- There is danger of explosion if batteries are incorrectly replaced.
- Replace batteries only with the same or equivalent type.



'WEEE' Symbol instructions

This product should not be disposed with other house hold wastes at the end of its working life.

Please separate this from other types of wastes and recycle it responsibly to promote the sustainable reuse of material resources. This will help prevent harm to the environment or human health from uncontrolled waste disposal.

Dolby Digital: Manufactured under license from Dolby Laboratories. 'Dolby' and the 'double-D' symbol are trademarks of Dolby Laboratories.

MP3: MPEG Layer-3 audio coding technology licensed from Fraunhofer IIS and Thomson

(B) Main Features

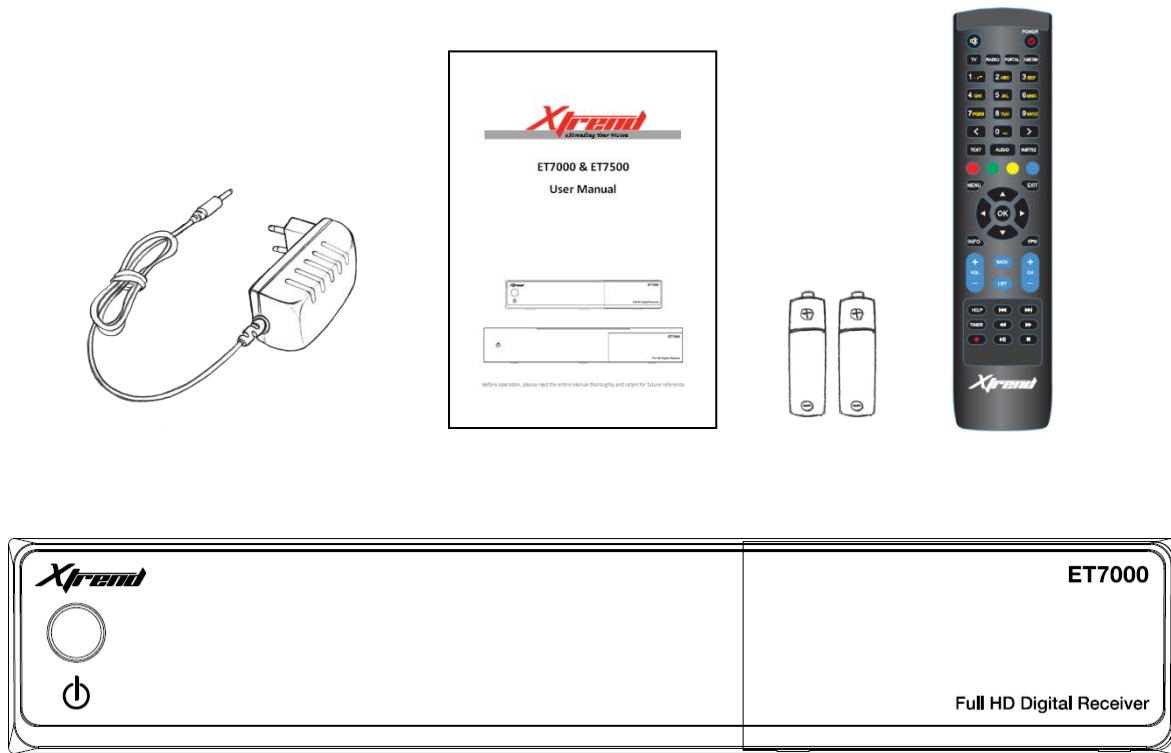
ET7000/ET7500

- 2,000 DMIPS CPU Processor
- 1 x integrated DVB-S2 Tuner (ET7000)
- 1 x integrated DVB-S2 Tuner and 1 x Plug & Play tuner slot for DVB-C, DVB-S2, or hybrid DVB-T2 Tuner (ET7500)
- Resolution: 1080p, 1080i, 720p, 576p, 576i
- Digital tone with AC-3-support via S/PDIF
- 12 Digit-Dot Matrix VFD (ET7500)
- eSATAp + USB Port in one (eSATAp Port provides power supply for external eSATA hard drives)
- 1 x Common Interface
- 1 x Smartcard Reader (ET7000)
- 2 x Smartcard Reader (ET7500)
- Power Touch-button with 2 LED (ET7500)
- User-friendly Linux Menu system
- Various Channel editing programs (Favorite, lock, rename, delete, and sort)
- Fully compatible with MPEG2/4 and DVB-S/S2
- Easy and fast Software-Upgrade via USB or Internet
- 512MB DDR 3/256MB Nand Flash
- 10/100MB Ethernet Interface
- 2.5" internal HDD Support (ET7500)
- HDMI CEC Support
- Unicable Support
- Play Multimedia files in HD quality.
- EPG Support
- Multi LNB support via DiSEqC 1.0, 22 kHz
- Video connections: HDMI, RCA

(C) Specification

	Property	ET7000	ET7500
CPU/Memory	CPU	2,000 DMIPS	2,000 DMIPS
	Nand Flash	256MB	256MB
	DDR 3	512MB	512MB
FRONT PANEL	Display	2-LED	VFD(dot Matrix)
I/O PORTS	USB	1 port	1 port
	SMART CARD	1 port	2 port
	CI SLOT	X	1 port
	BUTTON	1 port	1 port(Touch/2led)
	IR	1 port	1 port
REAR PANEL I/O PORTS	Power	Adapter (12V 2A)	Adapter (12V 2A)
	CI SLOT	1 port	X
	RCA AV Out	CVBS	CVBS
		Audio R/L	Audio R/L
	S/PDIF	OPTICAL	OPTICAL
	Tuner	1xFixed	1xFixed +
			1xPlug&Play
	LAN(RJ45)	1Port(10/100M)	1Port(10/100M)
	e-SATAP/USB 2.0	1 port	1 port
	HDMI Output	1 port	1 port
	HDD	X	2.5"
	Dimension (L x W x H)		211 x170x 40mm

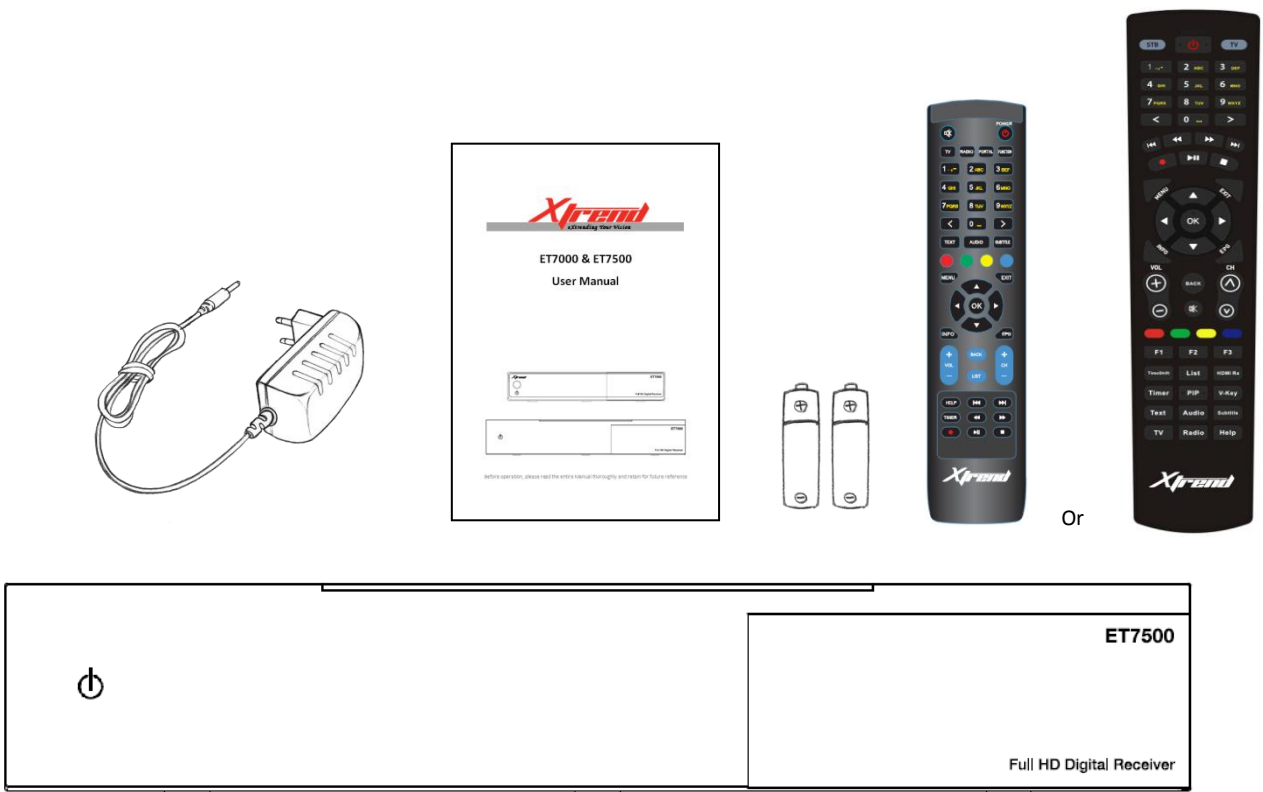
(D) Packaging Contents (ET7000)



Please check all package contents before using your product.

- STB
- Remote Control
- Batteries
- User Manual
- DC Power Adapter

Packaging Contents (ET7500)

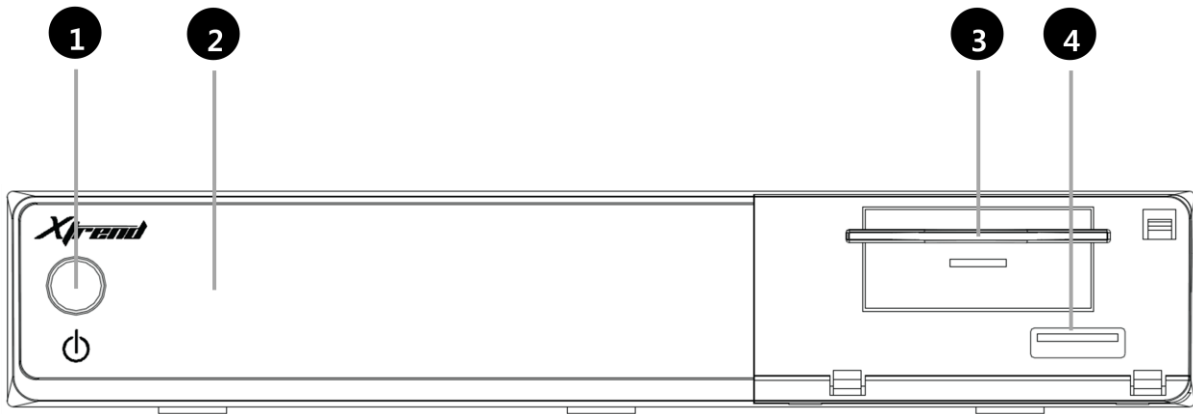


Please check all package contents before using your product.

- STB
- Remote Control
- Batteries
- User Manual
- DC Power Adapter
- SATA Cable
- HDD bracket (installed)
- Screws for HDD

(E) Product Descriptions

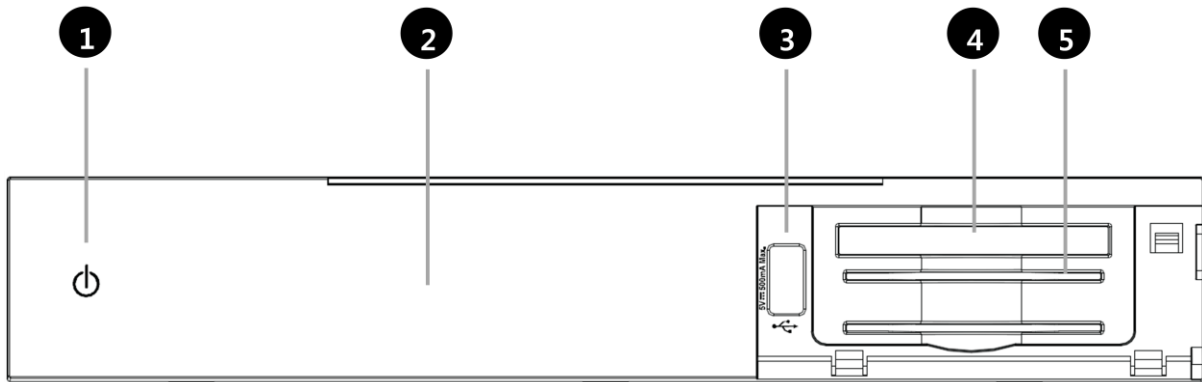
Front Panel (ET7000)



1. **Power** : Sets your Xtrend box into standby mode
2. **2 LED** : Red LED will be displayed when booting/ Green LED will be displayed during operation
3. **Smartcard reader slot**: Insert a Smartcard
4. **USB**: Connect a USB storage device

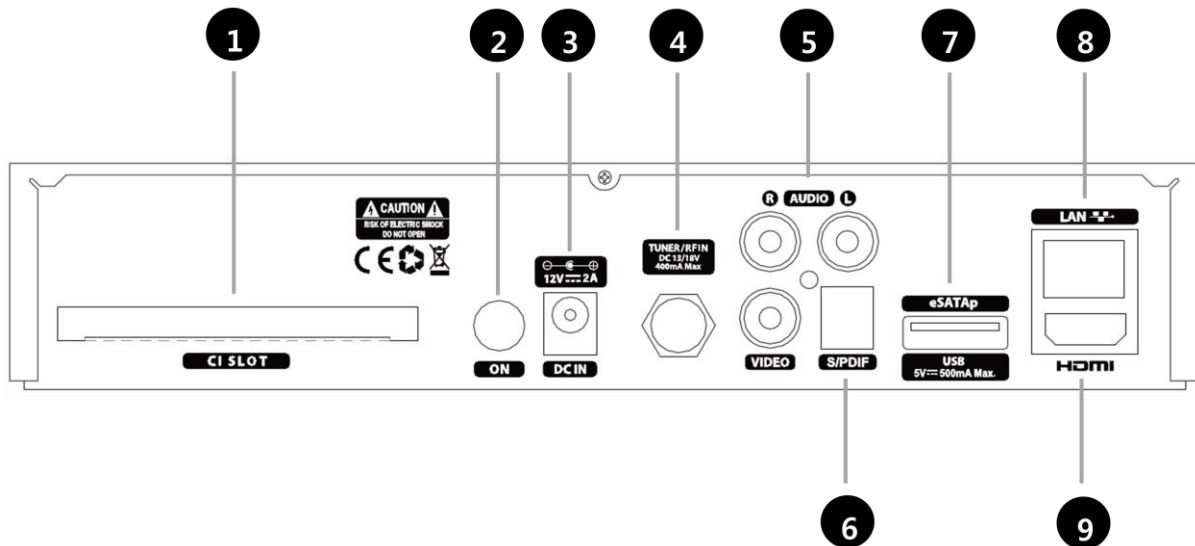
Product Descriptions

Front Panel (ET7500)



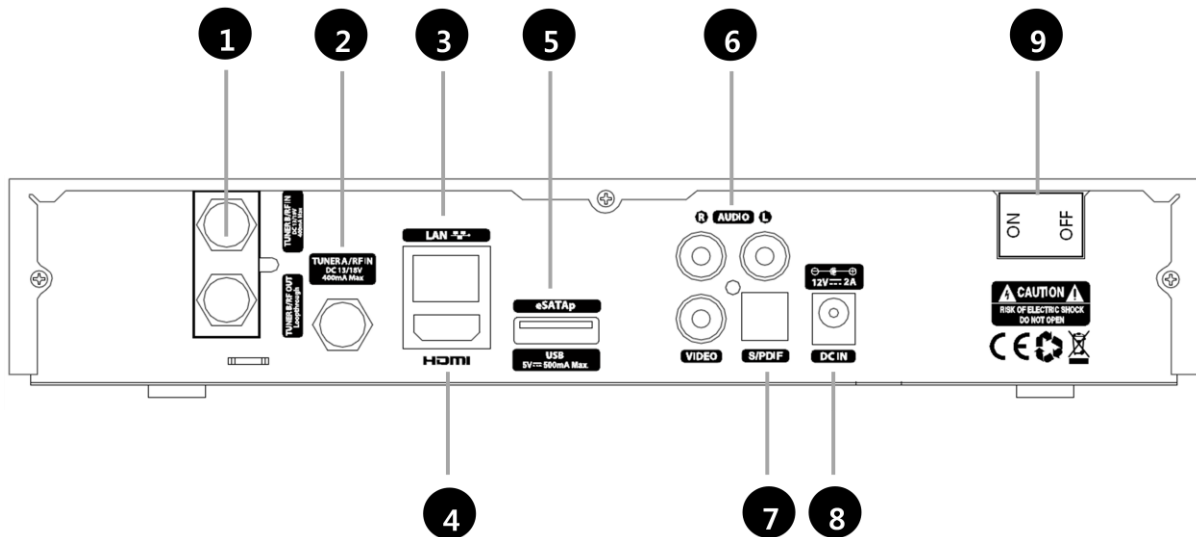
1. **Power** : Sets your Xtrend box into standby mode
2. **Display**: Displays the current menu information. 12 character dot matrix VFD.
3. **USB** : Connect a USB storage device
4. **CI Module slot**: Insert a CAM
5. **Smartcard reader slot**: Insert 2 Smartcards

Rear Panel (ET7000)



1. **CI Module slot:** Insert a CAM
2. **On/Off Switch:** Power on/off.
3. **Power Input :** Connect DC Power Adapter
4. **TUNER :** DVB-S/S2 integrated
5. **Composite (CVBS, L, R) :** Video/Audio connection via RCA
6. **S/PDIF :** Digital Output
7. **e-SATAp :** Connect external E-SATA device or USB-storage device
8. **Ethernet Port :** Connect LAN connection 10/100 Mbit
9. **HDMI out :** HDMI output to connect to your Television

Rear Panel (ET7500)



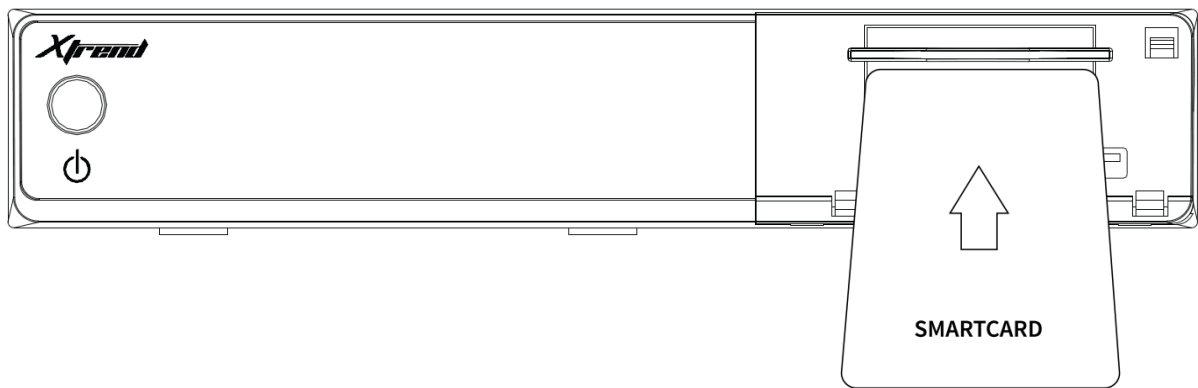
1. **TUNER B** : Plug & Play Tuner Slot for DVB-C/T/T2/S/S2
2. **TUNER A** : Single Tuner DVB-S/S2 integrated
3. **Ethernet Port** : Connect LAN connection 10/100 Mbit
4. **HDMI out** : HDMI output to connect to your Television
5. **e-SATAp** : Connect external E-SATA device or USB-storage device
6. **Composite (CVBS, L, R)** : Video/Audio connection via RCA
7. **S/PDIF** : Digital Output
8. **POWER input** : Connect DC Power Adapter
9. **On/Off Switch**: Power on/off.

(F) Smartcard Reader & CAM

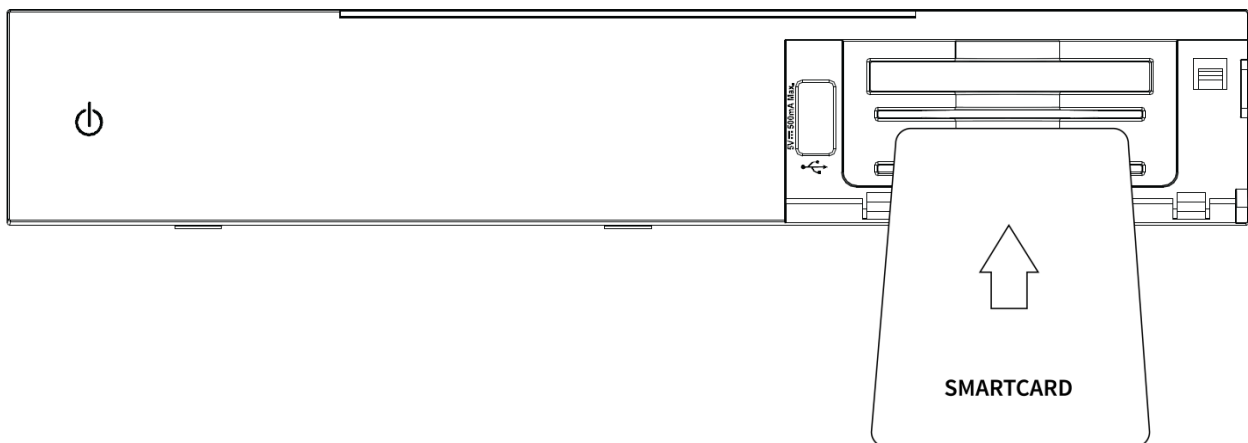
ET7000 provides a Smartcard Reader slot and ET7500 provides two Smartcard Reader slots.

Insertion of Smartcard

- ① Open the door on the right.
- ② Insert Smartcard as the image below



[ET7000]

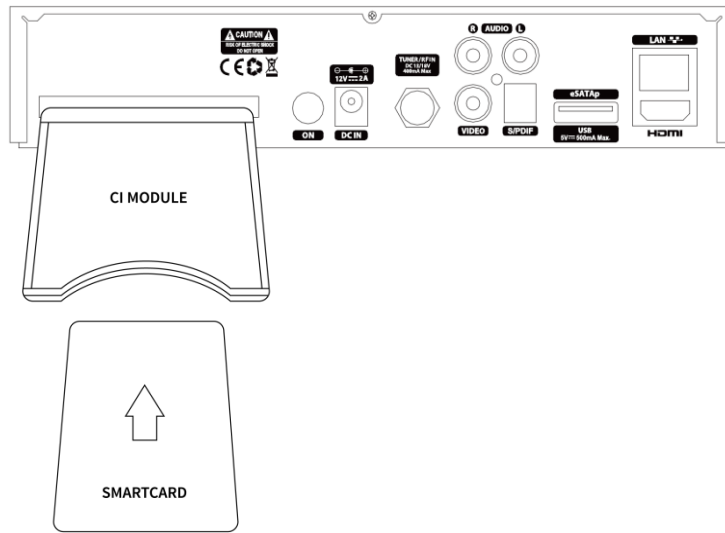


[ET7500]

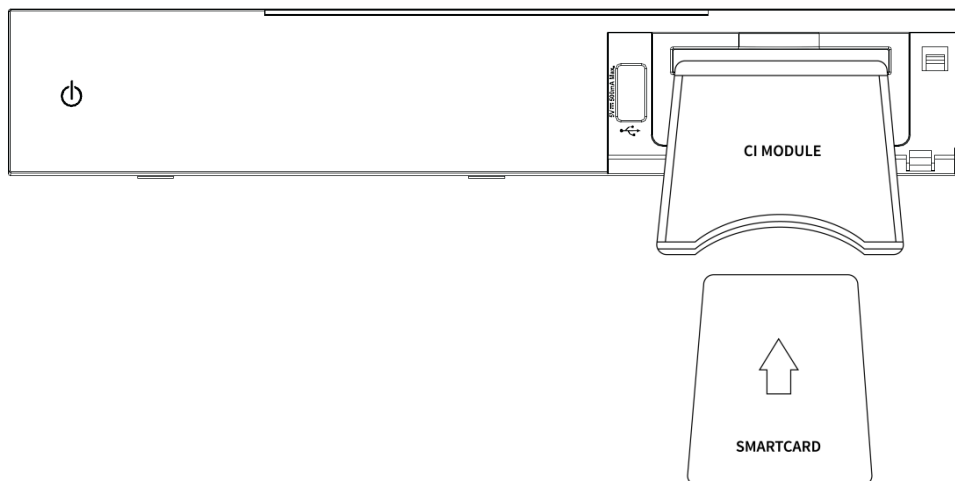
Insertion of CAM (Conditional Access Module)

ET7000 & ET7500 provide a CI slot.

- ① Insert a Smartcard into the CAM as in the image below
- ② Once the Smartcard inserted into the CAM, insert the CAM into the CI slot



[ET7000]



[ET7500]

(G) Remote Control -Type A (ET7000/ET7500)

- 0. **Power:** puts your Xtrend box to standby mode
- 1. **Mute:** tone off/on
- 2. **Function:** function button
- 3. **TV:** zap to TV Mode
- 4. **Portal:** ET-Portal
- 5. **Radio:** zap to Radio Mode
- 6. **Number field**
- 7. **One step backward/delete text**
- 8. **One step forward/skip text**
- 9. **Text:** displays videotext
- 10. **Subtitle:** displays subtitle
- 11. **Audio:** select Audio Track
- 12. **Color buttons:** Functional buttons that is defined respectively by the feature of menu.
Red: activates HbbTV Web browser (HbbTV Plugin must be installed)
Green: configurable
Yellow: select Audio Track
Blue: choose extensions
- 13. **Menu :** displays main menu
- 14. **Exit:** Exit
- 15. **Arrow buttons**
Left: Channel ▼ -
Right: Channel ▲ +
Up: displays bouquet list/channel list
Down: displays bouquet list/channel list
- 16. **OK :** confirm
- 17. **Info:** displays information of the current program
- 18. **EPG:** displays Electronic Program Guide
- 19. **VOL+/-:** Volume ▲ + ▼ -
- 20. **CH+/-:** Channel ▲ + ▼ -
- 21. **Back:** back to previous channel
- 22. **LIST:** Film archive
- 23. **Help :** displays the function of remote control
- 24. **◀◀ :** Fast skip
- 25. **▶▶ :** Fast skip
- 26. **Timer:** program a Timer event
- 27. **▶▶ :** Fast forward)
- 28. **◀◀ :** Fast rewind
- 29. **STOP:** stop playing media files/recordings
- 30. **REC:** record button
- 31. **▶|| :** Play & Pause : Plays and pauses selected media files



Remote Control - Type B (ET7000/ET7500)

0. **Power:** switch the receiver to stand-by mode.
1. **STB:** switch the remote control to receiver mode.
2. **Number field**
3. **< :** Navigates left on the menu options or delete
4. **<< :** Fast Rewind
5. **▶|| :** Play and Pause
6. **MENU:** displays the main menu.
7. **Information:** Displays the service information box.
8. **VOL +/-:** Adjusts the audio volume.
9. **BACK:** back to previous channel
10. **Mute:** Mutes the audio.
11. **4 Color Keys:**
 - Red:** activates HbbTV Web browser (Only on channels which provide HbbTV services).
 - Green:** configurable
 - Yellow:** select Audio Track
 - Blue:** selection extensions
12. **F1:** Assign a key function of your own
13. **Timeshift:** Used to start Timeshift function.
14. **Timer :** program a Timer event
15. **TEXT:** displays videotext
16. **TV :** Zap to TV mode
17. **F2:** Assign a key function of your own
18. **List:** Displays the list stored on HDD if any.
19. **PIP:** Activates Picture-in-Picture mode if this feature is available
20. **Audio:** Displays the audio track option to choose (e.g. AC3, Stereo)
21. **Radio:** Zap to radio mode
22. **TV:** Switch the remote control to Television mode (TV brand codes for this RCU can be found at www.et-view.net)
23. **>> :** Fast Forward
24. **Stop:** Stops playing and goes to the live mode.
25. **EXIT:** Exit
26. **Navigation Keys:**
 - Left:** Channel ▼-
 - Right:** Channel ▲+
 - Up:** displays bouquet list/channel list
 - Down:** displays bouquet list/channel list
27. **EPG:** Displays the Electronic Program Guide
28. **CH +/- :** Navigates through the channel list
29. **F3:** Assign a key function of your own
30. **HDMI Rx** (For ET10000 only): Switch to HDMI input mode
31. **V-Key:** Recalls Virtual Keyboard
32. **Subtitle:** displays subtitle
33. **Help:** displays the feature of the remote control



(H) Basic Installation

This chapter explains the installation of the Xtrend box. For information about installing devices such as the satellite dish, LNB, see the corresponding manuals of the manufacturer. When installing a new device, please refer to this basic installation chapter.

1. Installation of Satellite dish or Cable/Terrestrial connection

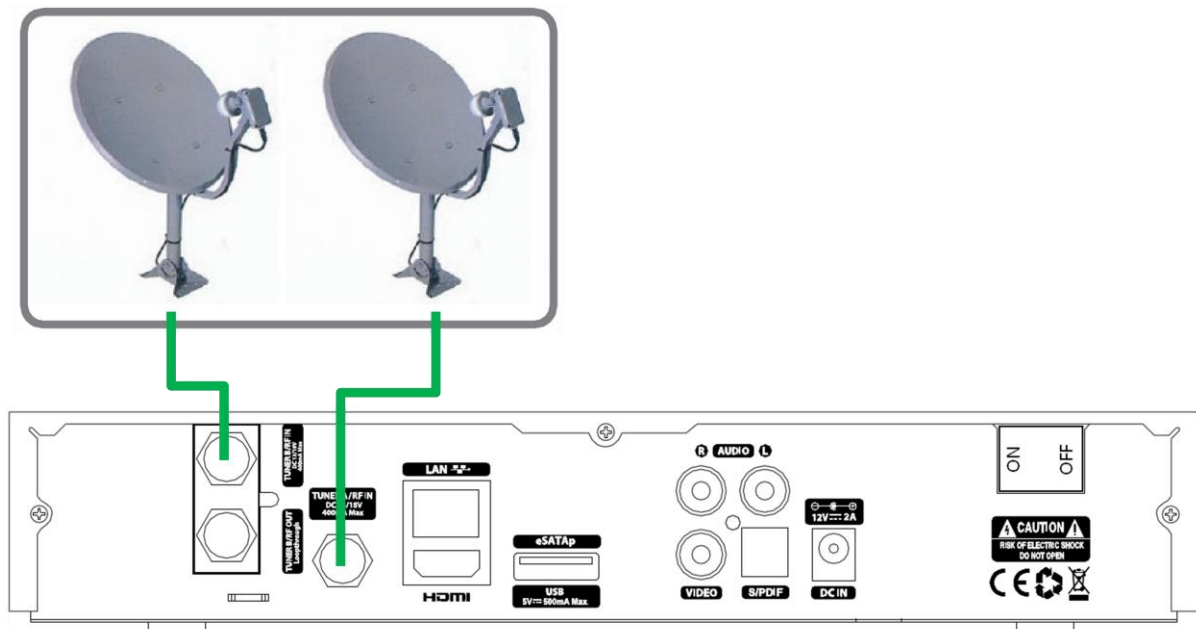
One of the first steps is to connect satellite cable(s) to STB in order to gain optimal signal quality. You can either choose one of the following connection methods depending on the equipment you have.

A. ET7500 Tuner A & B

If you have received the ET7500 with a built-in Plug & Play DVB-S2 tuner, you can connect 2x Satellite connections to Tuner B / RF IN and Tuner A / RF IN as the image below

B. ET7000 integrated DVB-S/S2

The ET7000 has a built-in DVB-S/S2 tuner which allows you to connect a Satellite connection on Tuner A / RF IN.



C. ET7500 Plug and Play DVB-S/S2 Tuner: Tuner B Loop-through/RF OUT

If you have only one Satellite connection, you can connect your Satellite cable on Tuner B / RF IN. You can now connect a loop-through cable to Tuner B / RF OUT and the other end to Tuner A / RF IN.

D. ET7500: Plug & Play DVB-C or DVB-T2 tuner

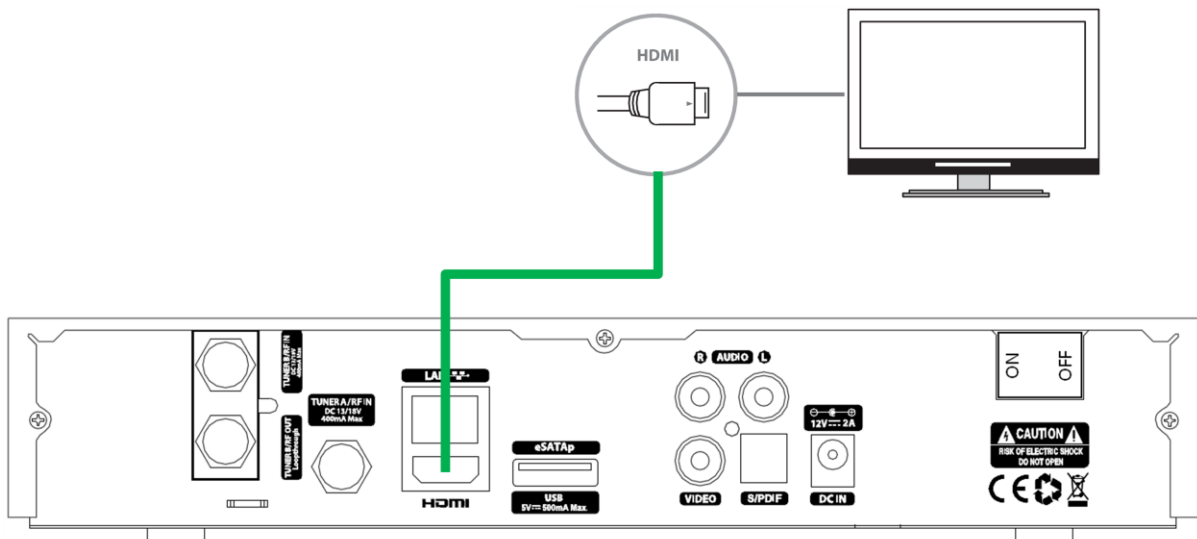
If you have a terrestrial or Cable connection, you can install a Plug & Play DVB-C or a hybrid DVB-T2 tuner on the tuner B slot.

2. Connecting the TV (and VCR)

STB provides a variety of audio/video connection methods.

A. Connecting TV via HDMI Cable

Connect your ET7500/ET7000's HDMI output with a HDMI Cable to your Television's HDMI input.

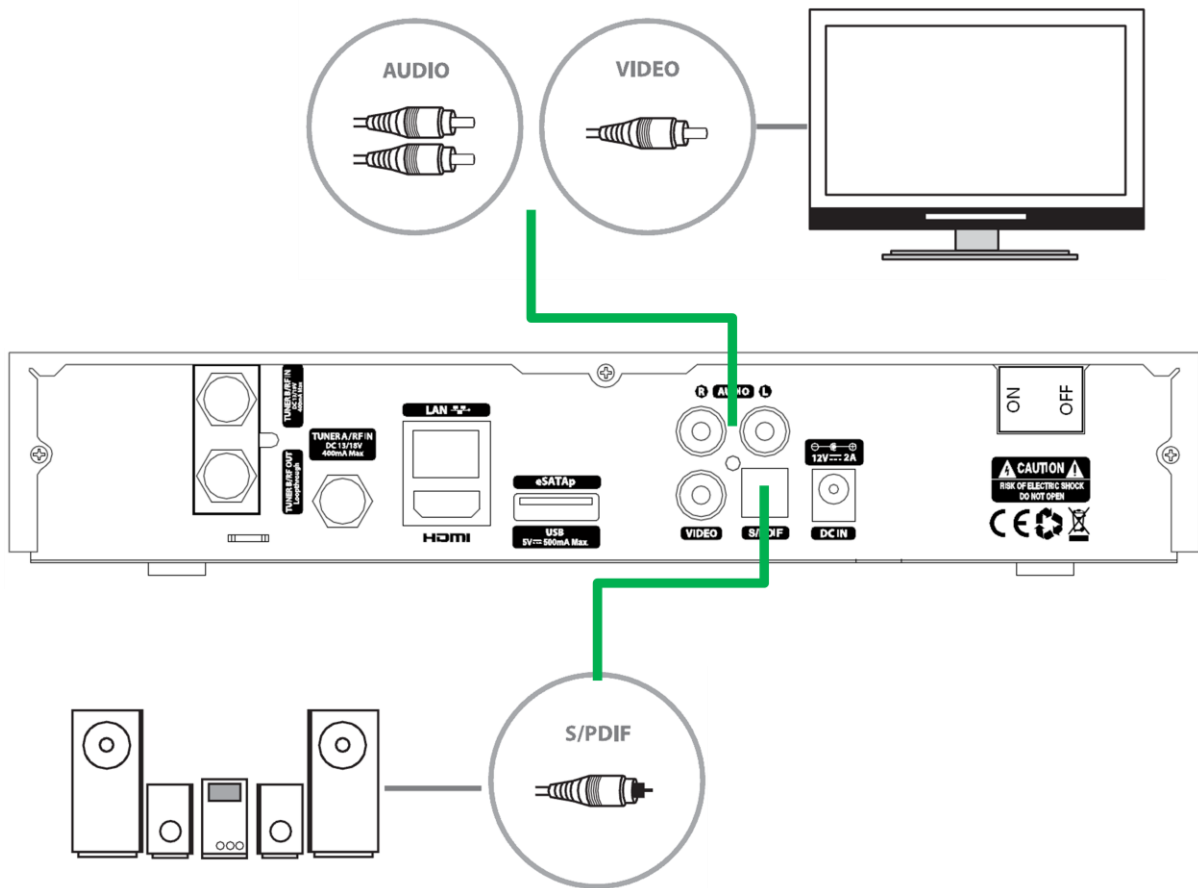


B. Television with RCA

If you connect your Xtrend the box via audio / video (also called RCA) please follow the graphic shown below. The individual connections are color coded for both the TV and the Xtrend box. Note that if you use Component for connecting an additional audio output for the audio connection must be used.

C. Dolby Digital amplifier

The Xtrend box has an optical output (AC3). You can choose the Dolby Digital amplifier using an optical cable. (Follow the graphic shown below)

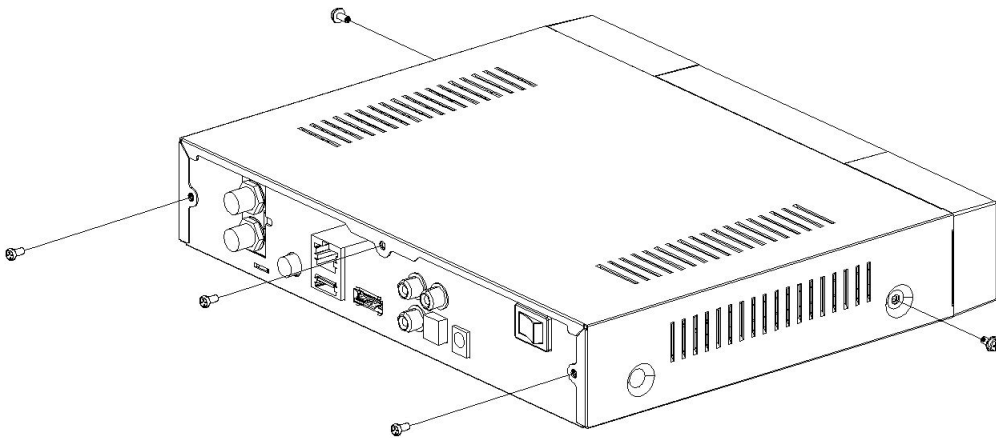


(I) Replacing Tuner (For ET7500)

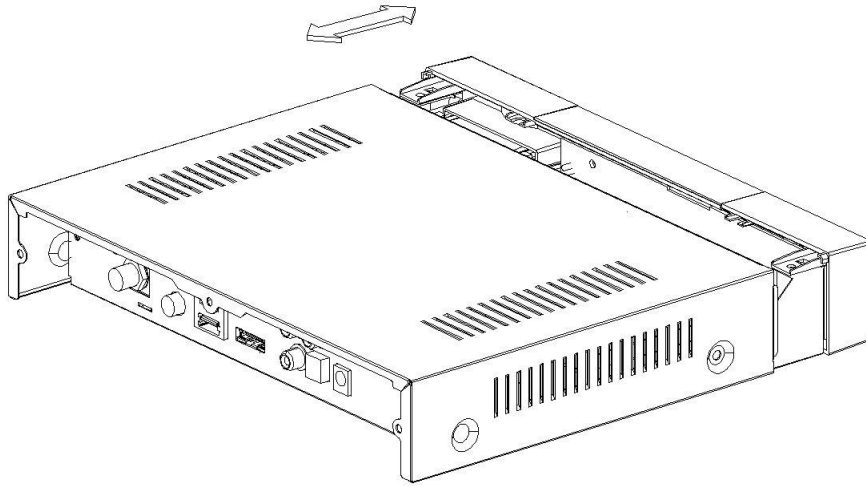
The Xtrend ET7500 offers as standard a built-in DVB-S/S2 tuner with an additional tuner slot. The Plug and Play DVB-S/S2, DVB-C and DVB-T/T2/C tuners are all pluggable. To protect your Electronic from unwanted static discharges, they should be carefully handled only by the edge of the board.

Instruction

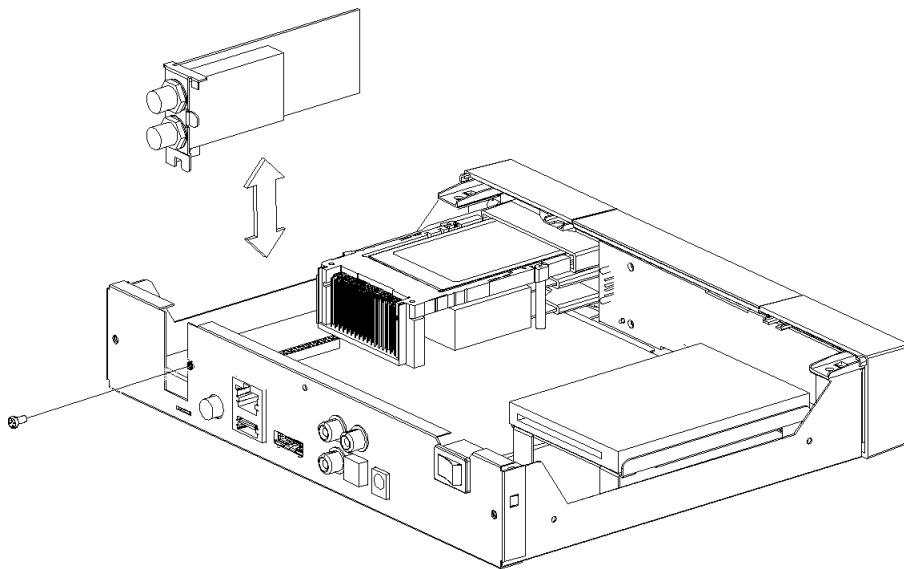
- A. Disconnect the power connection from your ET7500
- B. Remove 5 screws of the top cover -> Remove the screws by turning them counterclockwise(Refer image in Figure 1 below)
- C. Remove the top cover by sliding backwards (Refer image in Figure 2 below)
- D. Remove screws of tuner bracket -> remove the screws by turning them counterclockwise (Refer image in Figure 3 below)
- E. Gently remove the tuner from the main board if there are any installed
- F. After your desired DVB-S/-S2, DVB-C, or hybrid DVB-T2 tuner has been replaced, tighten the tuner bracket with the a screw and put the top cover on again -> tighten the top cover with the screws by turning them clockwise



[Figure 1]



[Figure 2]



[Figure 3]

(J) Turn on Xtrend ET7000/ET7500

Wizard Guide

The Wizard Guide will assist you to help configure the Xtrend ET7000/ET7500 in a simple way.

Step 1. Choose Video input selection

The first step of the wizard guide allows you to choose the desired Video input between HDMI, Scart, or YPbPr.

(Fig. 1) After you select your desired video input, configure the corresponding video mode. (Fig. 2) Use the up/down arrow buttons and OK button on your remote control to control the wizard guide.



Fig. 1



Fig. 2

Step 2. Language Selection

Xtrend provides various languages and here you can choose the main language for your Xtrend box. Use UP/DOWN key to scroll up and down to find the language you want. Use the OK button to confirm your choice.

(Fig.3)



Fig. 3

Step 3. Configuring Basic Setup

Now the wizard guide will ask you to configure your internet connection as well as tuner setup. There are 2 options:

- Use wizard to setup basic features
- Exit Wizard

You are strongly recommended to use wizard as it is designed to guide you through the configuration process

(Fig. 4)



Fig. 4

Step 4 Check the internet connection

Please connect your Xtrend receivers with a LAN connection or a WiFi USB stick (optional). Then select "Check the Internet Connection". (Fig. 5) If the Internet connection is successfully initialized, you will see an IP Address with the following message: "Your internet connection is working (ip: xxx.xxx.x.xx)" (Fig. 6)



Fig. 5



Fig. 6

Step 5. Configuring Tuner A and Tuner B (ET7500 includes a Plug&Play Tuner B Slot)

A. DVB-S/S2 Configuration Mode

Using LEFT/RIGHT key, you can choose one of the following Configuration Modes:

- Not configured.
- Simple
- Loop-through to: mode to make the TUNER 1 be externally connected to the TUNER 2.
- Equal to: mode to use the same configuration as that of Tuner B.
- Advanced: for an advanced user configuration, where you can setup Unicable LNB, C-band, motor, and other settings.

We recommend using the "Simple" configuration mode with DiSEqC A / B or Single mode according to your satellite system. Port A and Port B are set to Automatic so that the DVB-S2 tuner can automatically find a lock on the corresponding satellite signal furnished. (Fig. 7)



Fig. 7

B. DVB-C Configuration Mode

Using LEFT/RIGHT key, you can choose one of the following Configuration Modes:

- Enabled
- Nothing connected

Please select „Enabled“ as configuration mode, then you can choose the following types for "Used service scan type"

- Frequency steps
- Frequency bands
- Provider

We recommend "Provider" as "Used service scan type". Select the appropriate cable provider according to your cable system and press the OK button on your remote control. (Fig. 8)



Fig. 8

C. DVB-T2 Configuration Mode

Using LEFT/RIGHT key, you can choose one of the following Configuration Modes:

- Enabled
- Nothing connected

Once you have set "Enabled" as a configuration, select the appropriate region for your DVB-T2 System and press the OK button (Fig. 9)



Fig. 9

Step 6. Automatic Scan & Manual Scan

After you have configured the tuner(s), you can perform an automatic search or manual search on the desired tuner. (Fig. 10)



Fig. 10

Select on which tuner you want to do an automatic or manual search. (Fig. 11)



Fig.11

Manual Scan

If you know well enough to configure each exact setting required for manual search of services, you can select manual scan as well. There are many parameter values that you need to configure as below. (Fig. 12)



Fig. 12

Amongst other things, the below parameters are what you need to decide prior to performing manual scan.

1. Tuner

You need to decide which tuner you want to use for manual scan.

2. System

Here you have two options between DVB-S (SD) and DVB-S2 (HD).

3. Frequency

You need to enter the exact frequency of the transponder that you want to scan.

4. Symbol Rate

You need to enter the exact symbol rate of the transponder that you want to scan

5. Polarity

Here, you have options for Horizontal, Vertical, Circular Left and Circular Right. You need to know the polarity of the transponder that you want to scan.

6. FEC (Forward Error Correction)

You need to enter the exact FEC value of the transponder that you want to scan

7. Modulation

Here you have two options for QPSK (SD) and 8PSK (HD).

8. Network Scan

Here you have two options for "YES" and "NO". "NO" is used to scan the transponder (TP) based on the data that your STB currently has. "YES" is used to scan the TP not just based on the existing TP data but also using new TP data, if there is TP data newly transported from the TP. Naturally, "YES" option takes longer while it may result in a better scan result.

9. Clear Before Scan

"YES" is used when you want to delete the existing channel list before you start the automatic scan. If you want to keep the existing list, select "NO".

10. Only Free Scan

Here you have two options for "YES" and "NO". You want to scan only Free to Air channels without any encryption, select "YES". Otherwise, select "NO" to scan all FTA and CAS channels.

Press **“OK”** to activate the manual scan. This will take some minutes. As the scan proceeds, you will see the progressive bar and the newly found services underneath.

After an automatic or manual search, your Xtrend box is now ready for use. Press **“OK”** to continue. (Fig. 13)



Fig. 13

(K) System Configuration – Network Setup

[Menu -> Setup -> System -> Network]

The ET7000/ET7500 is equipped with a standard 10/100Mbps Ethernet RJ 45 connector. It is recommended to use this connection to enjoy your Xtrend box with all properties. The network settings can be adjusted with the menu displayed in the image below. (Fig. 14)



Fig. 14

Adapter settings

Through this menu, you can set the basic Ethernet configuration.

- **User Interface**

“YES” is used to activate the Ethernet. If you set this option at “NO”, the Ethernet will not work.

- **Use DHCP**

“YES” is used to use **DHCP (Dynamic Host Configuration Protocol)**. If you set this option at “YES”, it will automatically detect the correct IP address. “NO” is used when you want to use a certain fixed IP address. In this case, you need to enter correct addresses in each field.



If your Ethernet port is not active for any reason, please select "network restart"

This option is used when you want to restart the Ethernet interface of your Xtrend box.

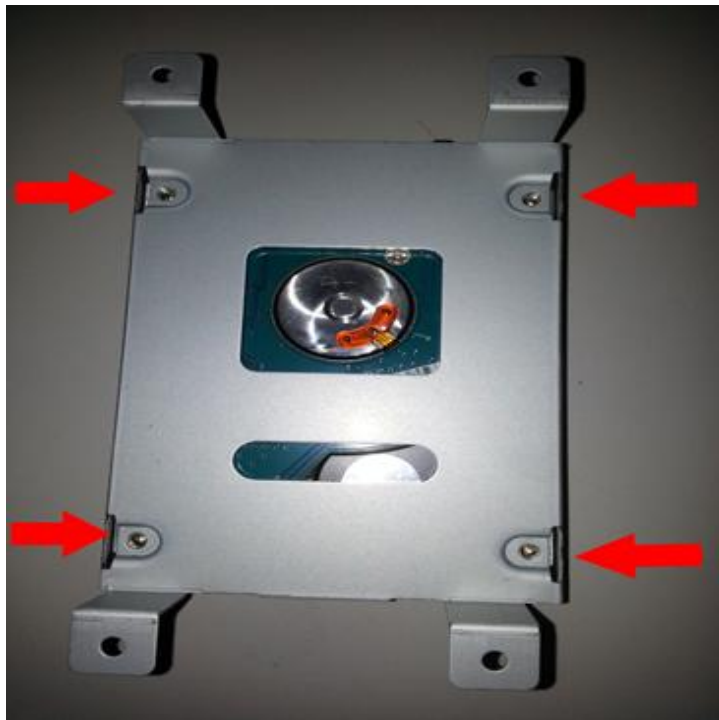
(L) Mounting HDD (For ET7500)

Xtrend ET7500's HDD bracket is designed to mount 2.5" HDD

1. You can mount a 2.5" HDD using the already installed bracket in the image below.



2. After inserting a 2.5" HDD on to the bracket, tighten 4 screws on the bottom side of the HDD bracket where 4 arrows are marked in the image below.



3. Insert the HDD bracket into the case of ET7500 as in the image below. Then tighten the 4 screws of the HDD bracket where 4 arrows are marked in the image below.



4. Connect the HDD Cable with your 2.5" HDD on to your main board using the 3 connections port where 3 arrows are marked in the image below:



(M) Download and Install Plugins

[Menu -> Plugins -> Download Plugins]

In order to download and install more Plugins, please go to the Plugin Browser and press the green button on your remote control. You will be able to see a list of available plugins and you can choose which plugins you want to download and install. After the installation of a plugin, we strongly recommend to restart the graphical user interface.



(N) Copyright - GNU GPL

GNU GENERAL PUBLIC LICENSE

Version 2, June 1991

Copyright (C) 1989, 1991 Free Software Foundation, Inc.

51 Franklin Street, Fifth Floor, Boston, MA 02110-1301, USA

Everyone is permitted to copy and distribute verbatim copies of this license document, but changing it is not allowed.

Preamble

The licenses for most software are designed to take away your freedom to share and change it. By contrast, the GNU General Public License is intended to guarantee your freedom to share and change free software—to make sure the software is free for all its users. This General Public License applies to most of the Free Software Foundation's software and to any other program whose authors commit to using it. (Some other Free Software Foundation software is covered by the GNU Lesser General Public License instead.) You can apply it to your programs, too.

When we speak of free software, we are referring to freedom, not price. Our General Public Licenses are designed to make sure that you have the freedom to distribute copies of free software (and charge for this service if you wish), that you receive source code or can get it if you want it, that you can change the software or use pieces of it in new free programs; and that you know you can do these things.

To protect your rights, we need to make restrictions that forbid anyone to deny you these rights or to ask you to surrender the rights. These restrictions translate to certain responsibilities for you if you distribute copies of the software, or if you modify it.

For example, if you distribute copies of such a program, whether gratis or for a fee, you must give the recipients all the rights that you have. You must make sure that they, too, receive or can get the source code. And you must show them these terms so they know their rights.

We protect your rights with two steps: (1) copyright the software, and (2) offer you this license which gives you legal permission to copy, distribute and/or modify the software.

Also, for each author's protection and ours, we want to make certain that everyone understands that there is no warranty for this free software. If the software is modified by someone else and passed on, we want its recipients to know that what they have is not the original, so that any problems introduced by others will not reflect on the original authors' reputations.

Finally, any free program is threatened constantly by software patents. We wish to avoid the danger that redistributors of a free program will individually obtain patent licenses, in effect making the program proprietary. To prevent this, we have made it clear that any patent must be licensed for everyone's free use or not licensed at all.

The precise terms and conditions for copying, distribution and modification follow.

TERMS AND CONDITIONS FOR COPYING, DISTRIBUTION AND MODIFICATION

0. This License applies to any program or other work which contains a notice placed by the copyright holder saying it may be distributed under the terms of this General Public License. The 'Program', below, refers to any such program or work, and a 'work based on the Program' means either the Program or any derivative work under copyright law: that is to say, a work containing the Program or a portion of it, either verbatim or with modifications and/or translated into another language. (Hereinafter, translation is included without limitation in the term 'modification'.) Each licensee is addressed as 'you'.

Activities other than copying, distribution and modification are not covered by this License; they are outside its scope. The act of running the Program is not restricted, and the output from the Program is covered only if its contents constitute a work based on the Program (independent of having been made by running the Program). Whether that is true depends on what the Program does.

1. You may copy and distribute verbatim copies of the Program's source code as you receive it, in any medium, provided that you conspicuously and appropriately publish on each copy an appropriate copyright notice and disclaimer of warranty; keep intact all the notices that refer to this License and to the absence of any warranty; and give any other recipients of the Program a copy of this License along with the Program.

You may charge a fee for the physical act of transferring a copy, and you may at your option offer warranty protection in exchange for a fee.

2. You may modify your copy or copies of the Program or any portion of it, thus forming a work based on the Program, and copy and distribute such modifications or work under the terms of Section 1 above, provided that you also meet all of these conditions:

- a) You must cause the modified files to carry prominent notices stating that you changed the files and the date of any change.
- b) You must cause any work that you distribute or publish, that in whole or in part contains or is derived from the Program or any part thereof, to be licensed as a whole at no charge to all third parties under the terms of this License.
- c) If the modified program normally reads commands interactively when run, you must cause it, when started running for such interactive use in the most ordinary way, to print or display an announcement including an appropriate copyright notice and a notice that there is no warranty (or else, saying that you provide a warranty) and that users may redistribute the program under these conditions, and telling the user how to view a copy of this License. (Exception: if the Program itself is interactive but does not normally print such an announcement, your work based on the Program is not required to print an announcement.) These requirements apply to the modified work as a whole. If identifiable sections of that work are not derived from the Program, and can be reasonably considered independent and separate works in themselves, then this License, and its terms, do not apply to those sections when you distribute them as separate works. But when you distribute the same sections as part of a whole which is a work based on the Program, the distribution of the whole must be on the terms of this License, whose permissions for other licensees extend to the entire whole, and thus to each and every part regardless of who wrote it. Thus, it is not the intent of this section to claim rights or contest your rights to work written entirely by you; rather, the intent is to exercise the right to control the distribution of derivative or collective works based on the Program.

In addition, mere aggregation of another work not based on the Program with the Program (or with a work based on the Program) on a volume of a storage or distribution medium does not bring the other work under the scope of this License.

3. You may copy and distribute the Program (or a work based on it, under Section 2) in object code or executable form under the terms of Sections 1 and 2 above provided that you also do one of the following:

- a) Accompany it with the complete corresponding machine-readable source code, which must be distributed under the terms of Sections 1 and 2 above on a medium customarily used for software interchange; or,
- b) Accompany it with a written offer, valid for at least three years, to give any third party, for a charge no more than your cost of physically performing source distribution, a complete machine-readable copy of the corresponding source code, to be distributed under the terms of Sections 1 and 2 above on a medium customarily used for software interchange; or,
- c) Accompany it with the information you received as to the offer to distribute corresponding source code. (This alternative is allowed only for noncommercial distribution and only if you received the program in object code or executable form with such an offer, in accord with Subsection b above.)

The source code for a work means the preferred form of the work for making modifications to it. For an executable work, complete source code means all the source code for all modules it contains, plus any associated interface definition files, plus the scripts used to control compilation and installation of the executable. However, as a special exception, the source code distributed need not include anything that is normally distributed (in either source or binary form) with the major components (compiler, kernel, and so on) of the operating system on which the executable runs, unless that component itself accompanies the executable.

If distribution of executable or object code is made by offering access to copy from a designated place, then offering equivalent access to copy the source code from the same place counts as distribution of the source code, even though third parties are not compelled to copy the source along with the object code.

4. You may not copy, modify, sublicense, or distribute the Program except as expressly provided under this License. Any attempt otherwise to copy, modify, sublicense or distribute the Program is void, and will automatically terminate your rights under this License. However, parties who have received copies, or rights, from you under this License will not have their licenses terminated so long as such parties remain in full compliance.

5. You are not required to accept this License, since you have not signed it. However, nothing else grants you permission to modify or distribute the Program or its derivative works. These actions are prohibited by law if you do not accept this License. Therefore, by modifying or distributing the Program (or any work based on the Program), you indicate your acceptance of this License to do so, and all its terms and conditions for copying, distributing or modifying the Program or works based on it.

6. Each time you redistribute the Program (or any work based on the Program), the recipient automatically receives a license from the original licensor to copy, distribute or modify the Program subject to these terms and conditions. You may not impose any further restrictions on the recipients' exercise of the rights granted herein. You are not responsible for enforcing compliance by third parties to this License.

7. If, as a consequence of a court judgment or allegation of patent infringement or for any other reason (not limited to patent issues), conditions are imposed on you (whether by court order, agreement or otherwise) that contradict the conditions of this License, they do not excuse you from the conditions of this License. If you cannot distribute so as to satisfy simultaneously your obligations under this License and any other pertinent obligations, then as a consequence you may not distribute the Program at all. For example, if a patent license would not permit royalty-free redistribution of the Program by all those who receive copies directly or indirectly through you, then the only way you could satisfy both it and this License would be to refrain entirely from distribution of the Program.

If any portion of this section is held invalid or unenforceable under any particular circumstance, the balance of the section is intended to apply and the section as a whole is intended to apply in other circumstances. It is not the purpose of this section to induce you to infringe any patents or other property right claims or to contest validity of any such claims; this section has the sole purpose of protecting the integrity of the free software distribution system, which is implemented by public license practices. Many people have made generous contributions to the wide range of software distributed through that system in reliance on consistent application of that system; it is up to the author/donor to decide if he or she is willing to distribute software through any other system and a licensee cannot impose that choice.

This section is intended to make thoroughly clear what is believed to be a consequence of the rest of this License.

8. If the distribution and/or use of the Program is restricted in certain countries either by patents or by copyrighted interfaces, the original copyright holder who places the Program under this License may add an explicit geographical distribution limitation excluding those countries, so that distribution is permitted only in or among countries not thus excluded. In such case, this License incorporates the limitation as if written in the body of this License.

9. The Free Software Foundation may publish revised and/or new versions of the General Public License from time to time. Such new versions will be similar in spirit to the present version, but may differ in detail to address new problems or concerns.

Each version is given a distinguishing version number. If the Program specifies a version number of this License which applies to it and 'any later version', you have the option of following the terms and conditions either of that version or of any later version published by the Free Software Foundation. If the Program does not specify a version number of this License, you may choose any version ever published by the Free Software Foundation.

10. If you wish to incorporate parts of the Program into other free programs whose distribution conditions are different, write to the author to ask for permission. For software which is copyrighted by the Free Software Foundation, write to the Free Software Foundation; we sometimes make exceptions for this. Our decision will be guided by the two goals of preserving the free status of all derivatives of our free software and of promoting the sharing and reuse of software generally.

NO WARRANTY

11. BECAUSE THE PROGRAM IS LICENSED FREE OF CHARGE, THERE IS NO WARRANTY FOR THE PROGRAM, TO THE EXTENT PERMITTED BY APPLICABLE LAW. EXCEPT WHEN OTHERWISE STATED IN WRITING THE COPYRIGHT

HOLDERS AND/OR OTHER PARTIES PROVIDE THE PROGRAM 'AS IS' WITHOUT WARRANTY OF ANY KIND, EITHER EXPRESSED OR IMPLIED, INCLUDING, BUT NOT LIMITED TO, THE IMPLIED WARRANTIES OF MERCHANTABILITY AND FITNESS FOR A PARTICULAR PURPOSE. THE ENTIRE RISK AS TO THE QUALITY AND PERFORMANCE OF THE PROGRAM IS WITH YOU. SHOULD THE PROGRAM PROVE DEFECTIVE, YOU ASSUME THE COST OF ALL NECESSARY SERVICING, REPAIR OR CORRECTION.

12. IN NO EVENT UNLESS REQUIRED BY APPLICABLE LAW OR AGREED TO IN WRITING WILL ANY COPYRIGHT HOLDER, OR ANY OTHER PARTY WHO MAY MODIFY AND/OR REDISTRIBUTE THE PROGRAM AS PERMITTED ABOVE, BE LIABLE TO YOU FOR DAMAGES, INCLUDING ANY GENERAL, SPECIAL, INCIDENTAL OR CONSEQUENTIAL DAMAGES ARISING OUT OF THE USE OR INABILITY TO USE THE PROGRAM (INCLUDING BUT NOT LIMITED TO LOSS OF DATA OR DATA BEING RENDERED INACCURATE OR LOSSES SUSTAINED BY YOU OR THIRD PARTIES OR A FAILURE OF THE PROGRAM TO OPERATE WITH ANY OTHER PROGRAMS), EVEN IF SUCH HOLDER OR OTHER PARTY HAS BEEN ADVISED OF THE POSSIBILITY OF SUCH DAMAGES.

END OF TERMS AND CONDITIONS